



• **FSSG.1019.xx20.2124**

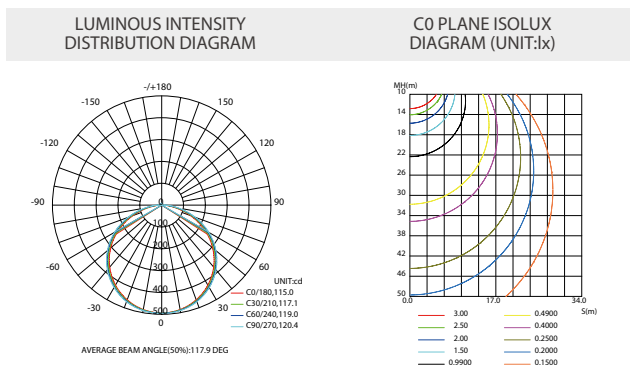


- 7 led/group design, up to 156 lm/w;
- 2200-6000K Multi-color temperature optional.

TECHNICAL DETAILS

Product No.	FSSG.1019.xx20.2124
Power	19.2W/M
Voltage	DC24V
CRI	80
Led Qty	210LEDs/M
Length/Reel	5M
Working Temperature	-20~50°C
Storage Temperature	-30~80°C

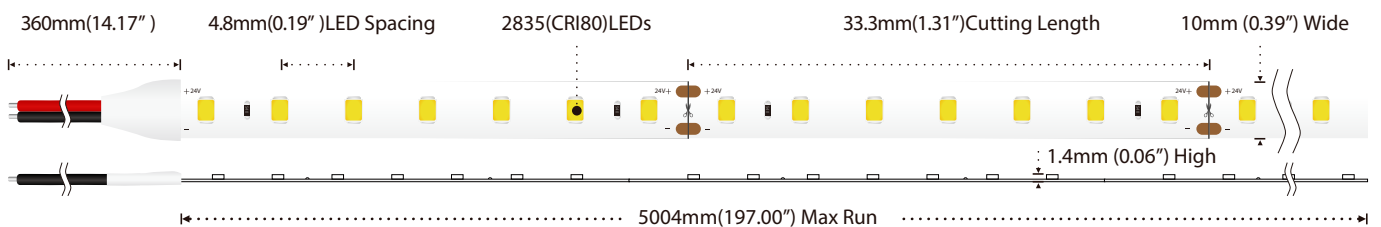
LIGHT DISTRIBUTION



LUMENS PER METER

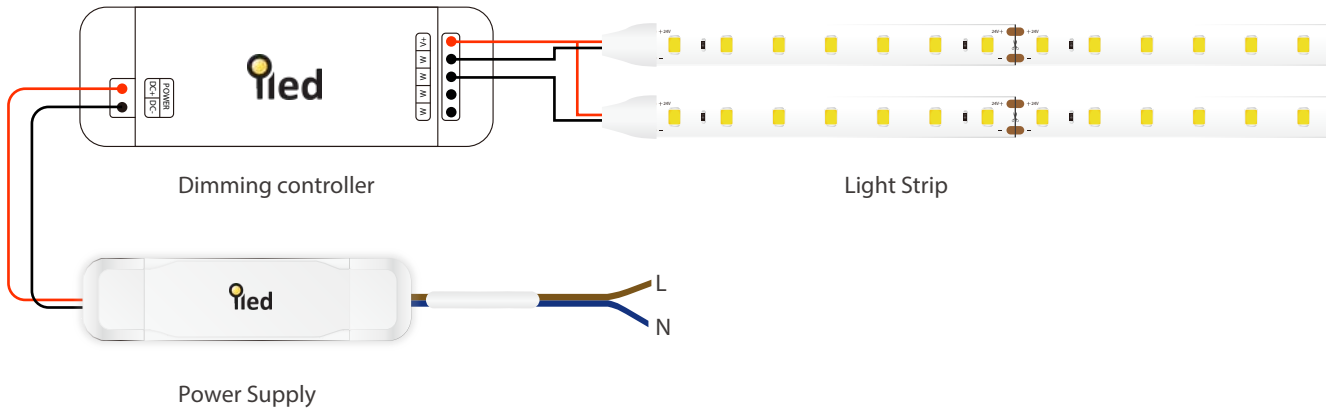
Color Temperature	
2700K	2770lm
3000K	2900lm
4000K	3020lm
6500K	3000lm

DIMENSION

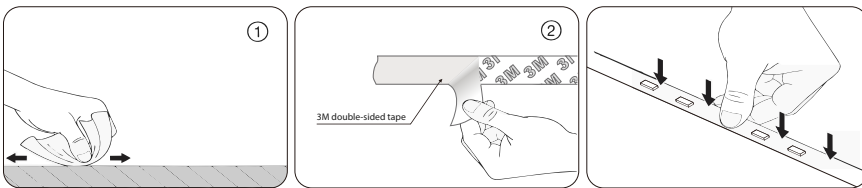




POWER CONNECTION DIAGRAM



INSTALL



Clean the environment part to be attached with a cloth, as shown in Figure 1, and then tear off the 3M tape on the back of the light belt, and finally stick the light belt on the clean place.

*Please refer to the installation manual for details

PACKING

Box dimension(mm)	Carton dimension(mm)	Electrostatic size(mm)	Reel size(mm)	outer box(bags/carton)
500×260×380	360×240×240	240×220	7×8	50
Net weight (kg)	Each box net(kg)	Gross weight of each box(kg)	Bag quantity(bags/carton)	
0.1	5	6.3	25	

